

TECHNICAL SPECIFICATION

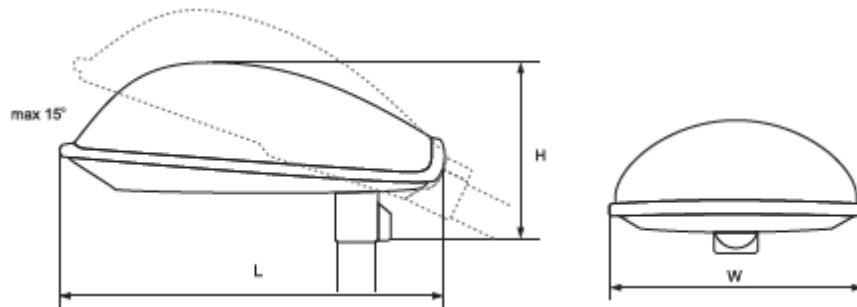
Road fixtures - NOVA max



Technical data

- Rated voltage: 230V / 50Hz
- Lamp operation mode: Control gear
- Control gear: Mounted in the body
- Light source type (not included in the commercial kit): High-pressure Sodium Lamp (HPSL), Metal-halide Lamp (MHL)
- Lamp power: HPSL - 100W, 150W, 250W, 400W; MHL – 250W, 400W
- Housing: Aluminium
- Housing colour: Dark grey
- Reflector: Aluminium
- Diffuser: Tempered glass
- Base: E40
- Size: L680 x H220 x W320mm
- Installation: max D60mm X L8÷12m metal pole, outdoor applications
- Adjustable tube allowing regulation of the mounting direction
- Ambient temperature: -20°C ÷ +65°C
- Protection against dust and moisture: IP66
- Surface requirements: Class F

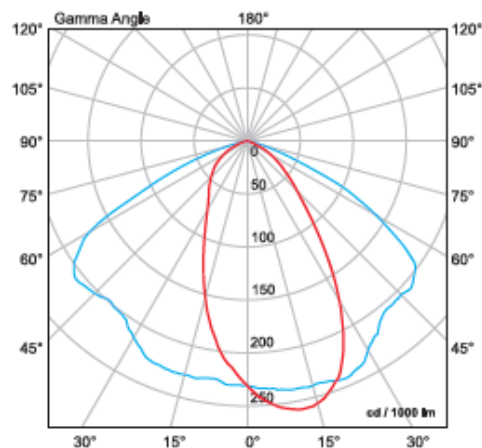
Dimensions



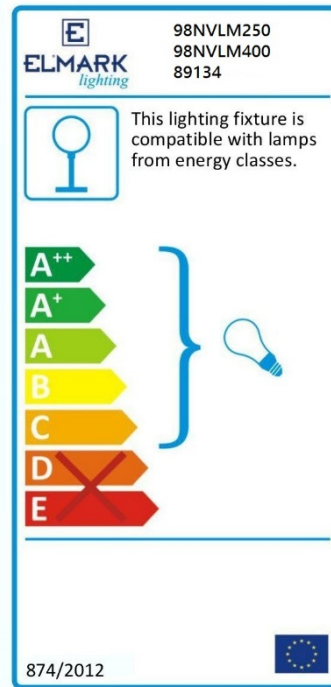
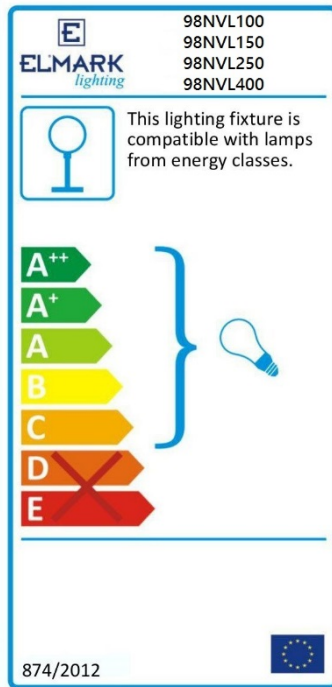
Variants

| Watt | Lamp | Current (A) | Colour body | Size (mm) | | | Control gear | Catalogue number | Packing (pcs) |
|------|------|-------------|-------------|-----------|-----|-----|---------------|------------------|---------------|
| | | | | L | W | H | | | |
| 100W | HPSL | 1.20 | dark grey | 680 | 320 | 220 | magnetic | 98NVL100 | 1 |
| 150W | HPSL | 1.80 | dark grey | 680 | 320 | 220 | magnetic | 98NVL150 | 1 |
| 250W | HPSL | 3.00 | dark grey | 680 | 320 | 220 | magnetic | 98NVL250 | 1 |
| 400W | HPSL | 4.45 | dark grey | 680 | 320 | 220 | magnetic | 98NVL400 | 1 |
| 250W | MHL | 3.00 | dark grey | 680 | 320 | 220 | magnetic | 98NVLM250 | 1 |
| 400W | MHL | 3.50 | dark grey | 680 | 320 | 220 | magnetic | 98NVLM400 | 1 |
| | | | dark grey | 680 | 320 | 220 | empty fixture | 89134 | 1 |

Luminous distribution curves



Energy efficiency



Barcodes

| Barcode | Catalogue number |
|---------------|------------------|
| 3800131191335 | 98NVL100 |
| 3800131191359 | 98NVL150 |
| 3800131191373 | 98NVL250 |
| 3800131191397 | 98NVL400 |
| 3800131191410 | 98NVLM250 |
| 3800131191434 | 98NVLM400 |
| 3800131187918 | 89134 |

Standards

EN 55015

EN 61000-3-2; EN 61000-3-3

EN 61000-4-2; EN 61000-4-4; EN 61000-4-5; EN 61000-4-8; EN 61000-4-11

EN 61547

EN 60598-1; EN 60598-2-3

